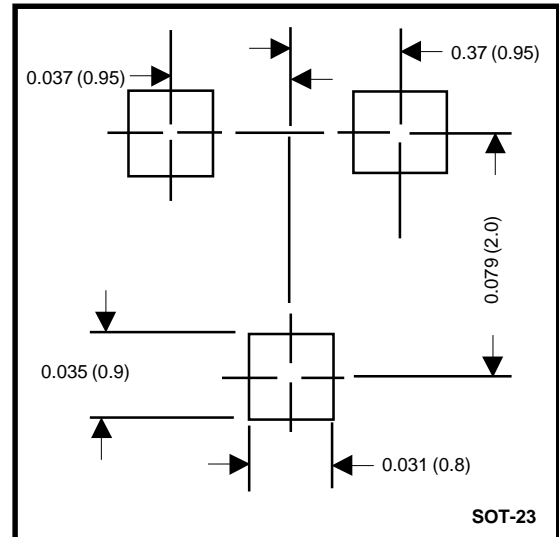
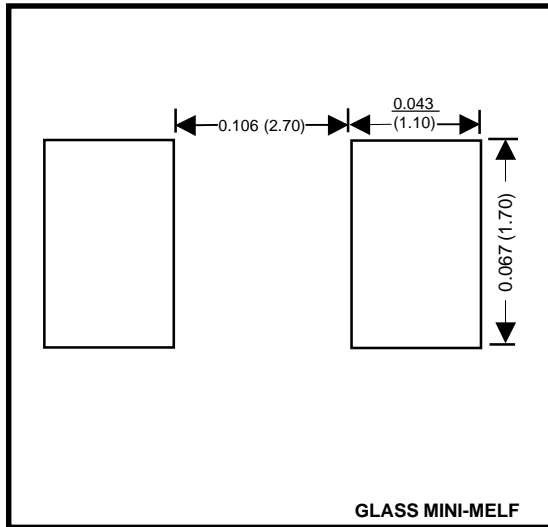


# SOLDER PADS OUTLINE



Unit: All Dimensions in inches and (mm)